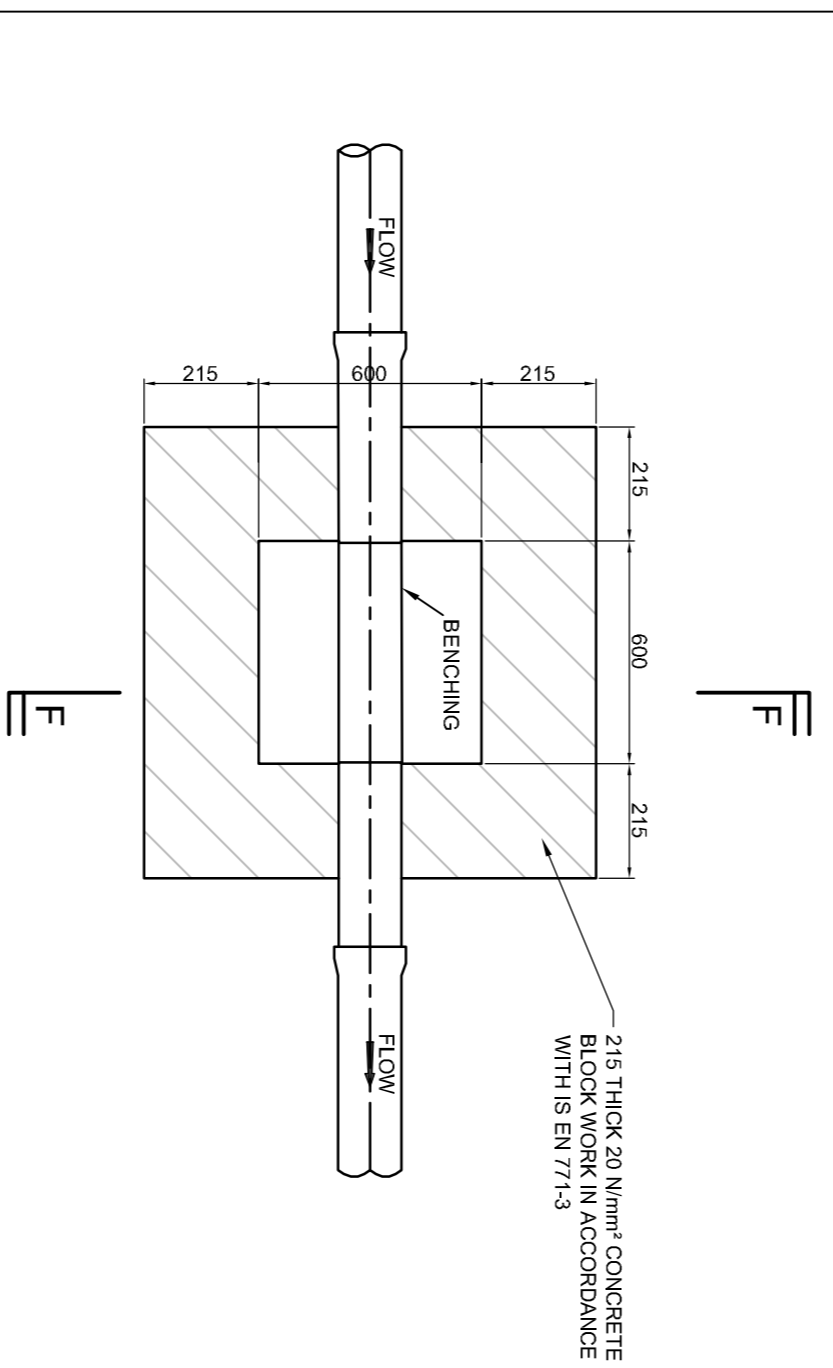
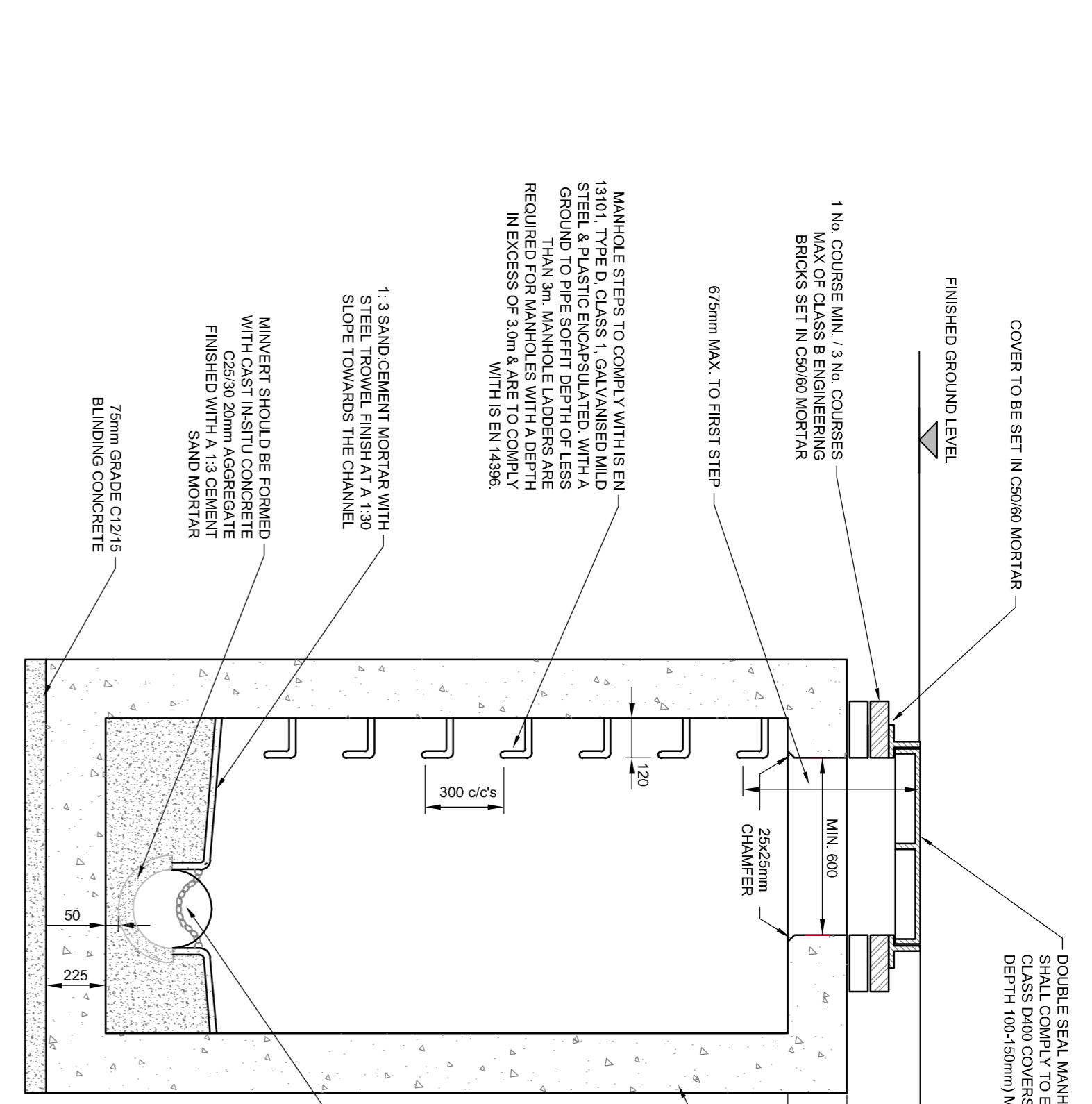


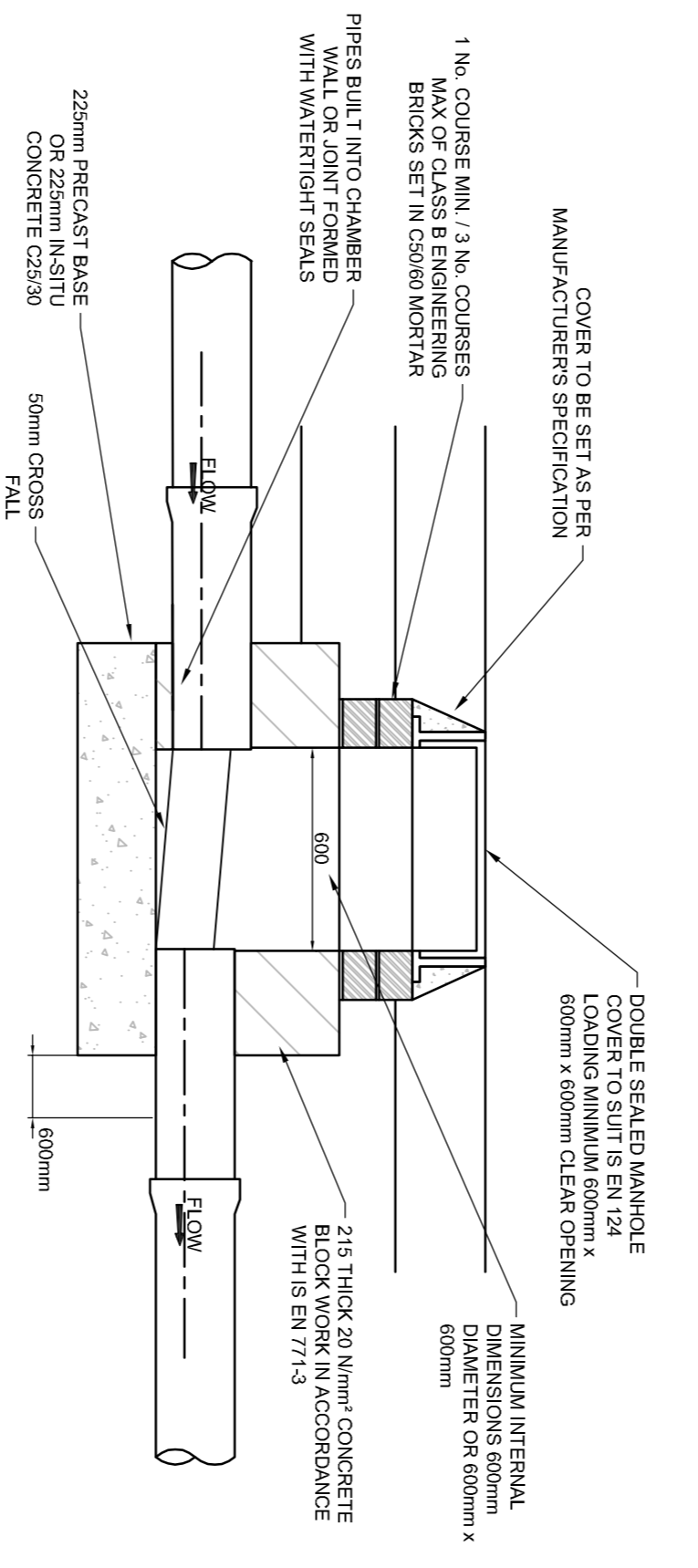
IRISH WATER IN SITU CONCRETE MANHOLE
TYPICAL DETAIL
SCALE 1:20



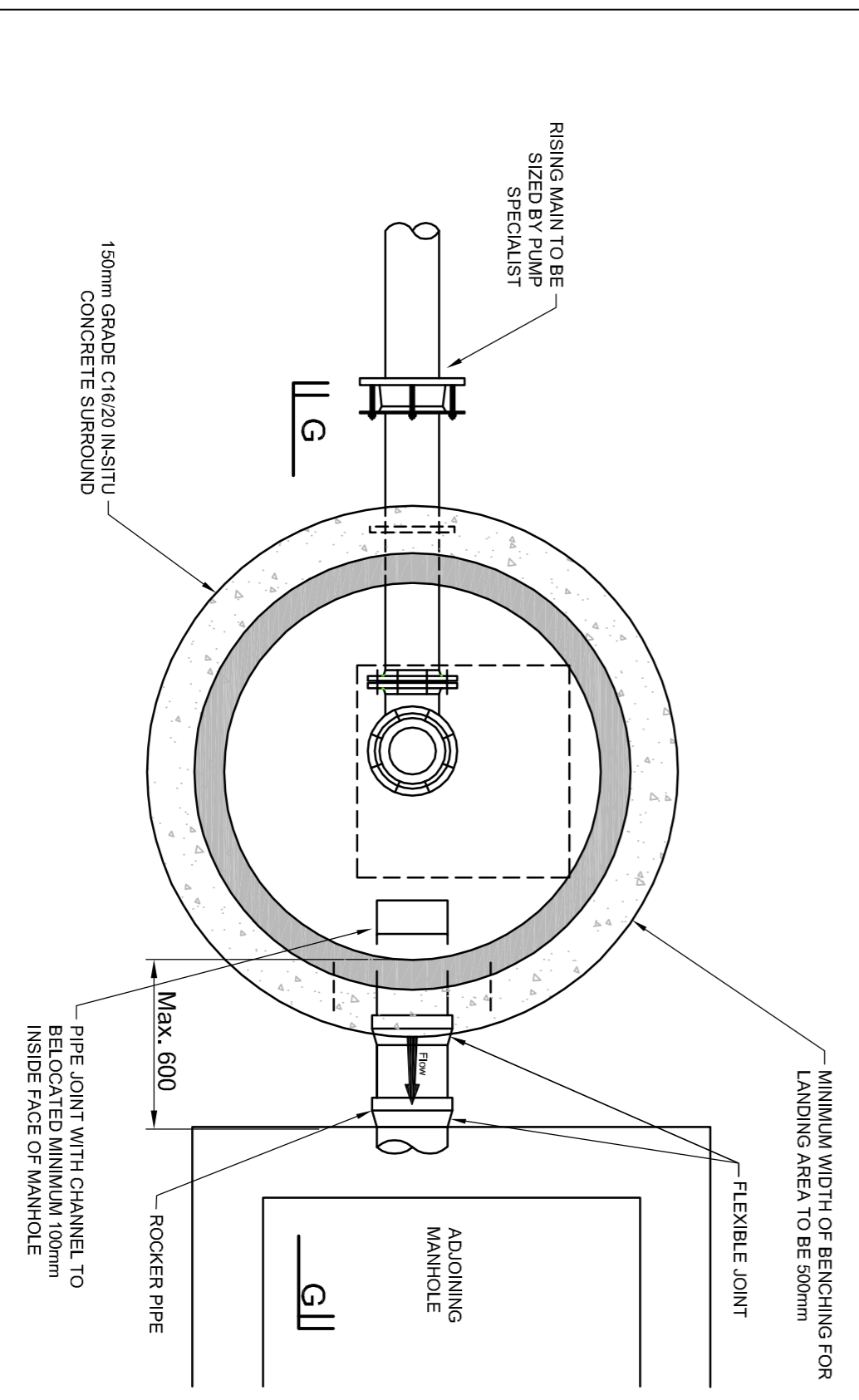
IRISH WATER INSITU CONCRETE MANHOLE
TYPICAL DETAIL
SCALE 1:20



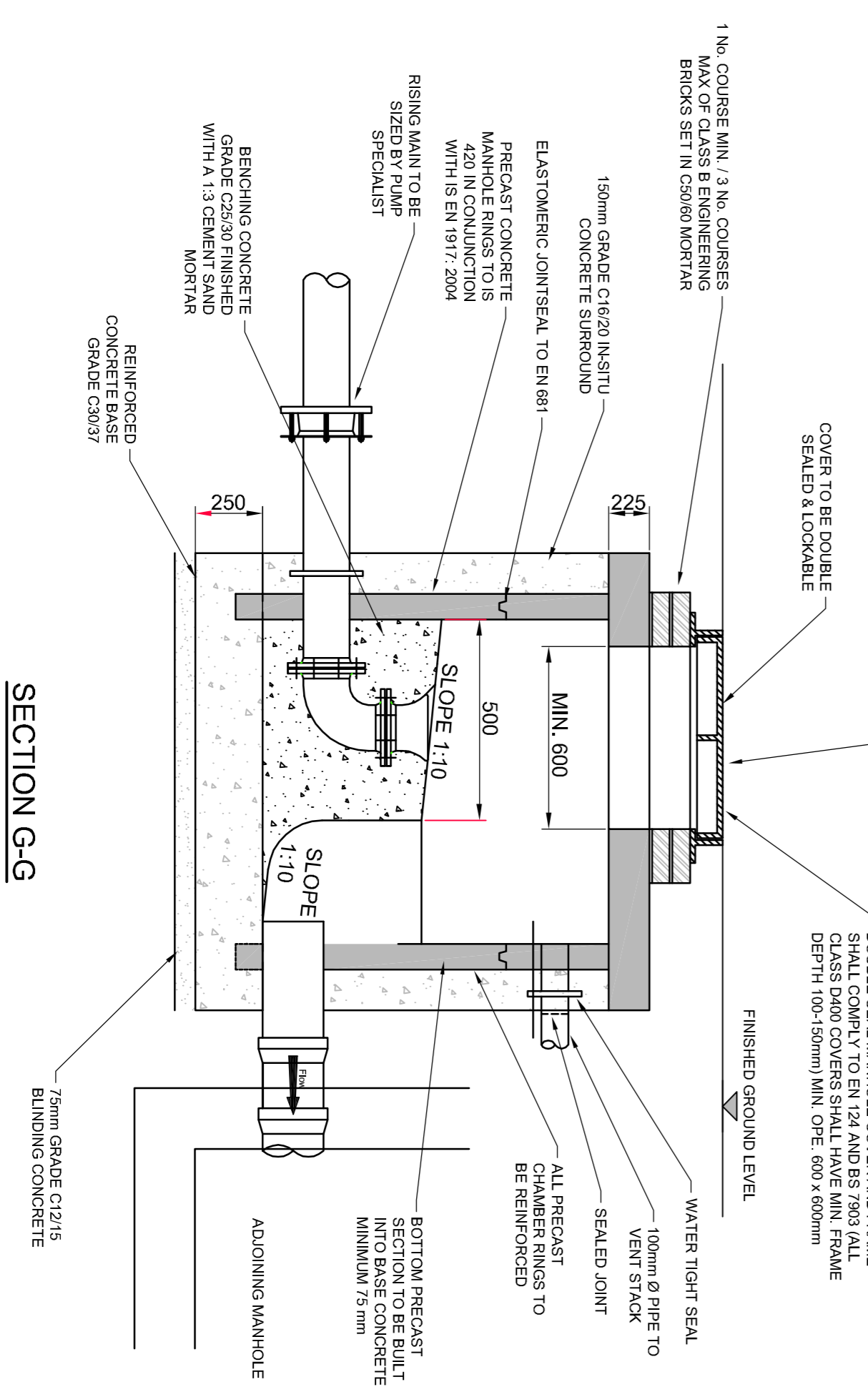
SECTION E-E
SCALE 1:20



SECTION F-F
SCALE 1:20



IRISH WATER RISINH MAIN DISCHARGE MANHOLE
TYPICAL DETAIL
SCALE 1:20



SECTION G-G
SCALE 1:20

GENERAL NOTES:
DRAWINGS TO BE READ IN CONJUNCTION WITH ALL RELEVANT ARCHITECTS AND ENGINEERS DETAIL DRAWINGS AND SPECIFICATIONS.
DO NOT SCALE DIMENSIONS. REFER TO ARCHITECTS DRAWINGS FOR ALL SETTING OUT DIMENSIONS. WORK TO FIGURED DIMENSIONS ONLY.
THE ENGINEER IS TO BE AFFORDED SUFFICIENT TIME TO CARRY OUT INSPECTIONS OF THE WORK TO BE PROVIDED TO VERIFY THE PROPOSED INSPECTION PLAN AND INSPECTION NOTIFICATION FRAMEWORK.
ALL CONSTRUCTION PRODUCTS TO HAVE RELEVANT CE MARKING WHERE APPLICABLE.
ALL CONTRACTORS OR SUB-CONTRACTORS RESPONSIBLE FOR SPECIALIST DESIGN MUST PROVIDE PROFESSIONAL INDEPENDENT INSURANCES AND QUALITY ASSURANCE AND QUALITY CONTROL CERTIFICATES FOR INSPECTION IN ACCORDANCE WITH BSQR 2014.
DRAINAGE
ALL SURFACE WATER DRAINAGE WORK TO BE CARRIED OUT IN ACCORDANCE WITH IS EN 752:2008, TGD PART 4, GDR CODE OF PRACTICE FOR DRAINAGE WORKS W6. ALL FOLI, AND COMBINED SEWER DRAINAGE WORK IS TO BE CARRIED OUT IN ACCORDANCE WITH IRISH WATER CODES OF PRACTICE AND STANDARD DETAILS FOR WASTEWATER.
ALL WASTEWATER WORK IS TO BE CARRIED OUT IN ACCORDANCE WITH IRISH WATER'S CODES OF PRACTICE AND STANDARD DETAILS FOR WASTEWATER.

Rev	Date	By	CHK'D	Description
P2	04/09/2020	MG	FM	Issued for Final Planning
P1	09/03/2020	PGC	FM	Issue For Planning

LOHAN & DONNELLY
Consulting Engineers

13 Gardiner Place, Mountjoy Square, Dublin 1. T. 01 8787770
W: www.lohan-donnelly.com E: info@lohan-donnelly.com

Job:	Development of Market Lands for The Fruitmarket Partnership	Job No.:	19143	Drawn:	@A1	Scale:	1:10
Drawn:	Drainage Details Typical Irish Water Manhole Details	Rev.:	P2	Date:	March 2019	Doc. No.:	C07