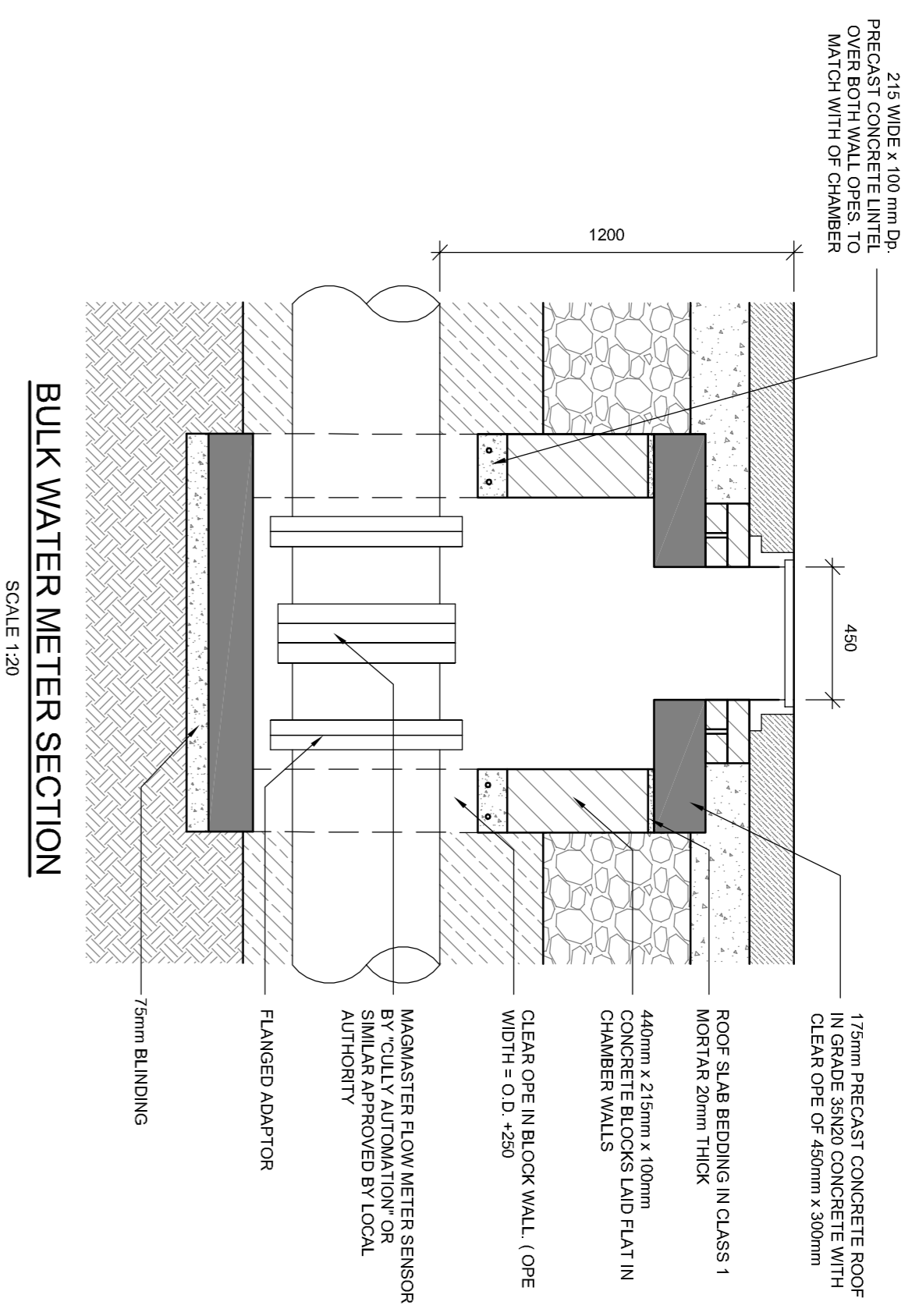


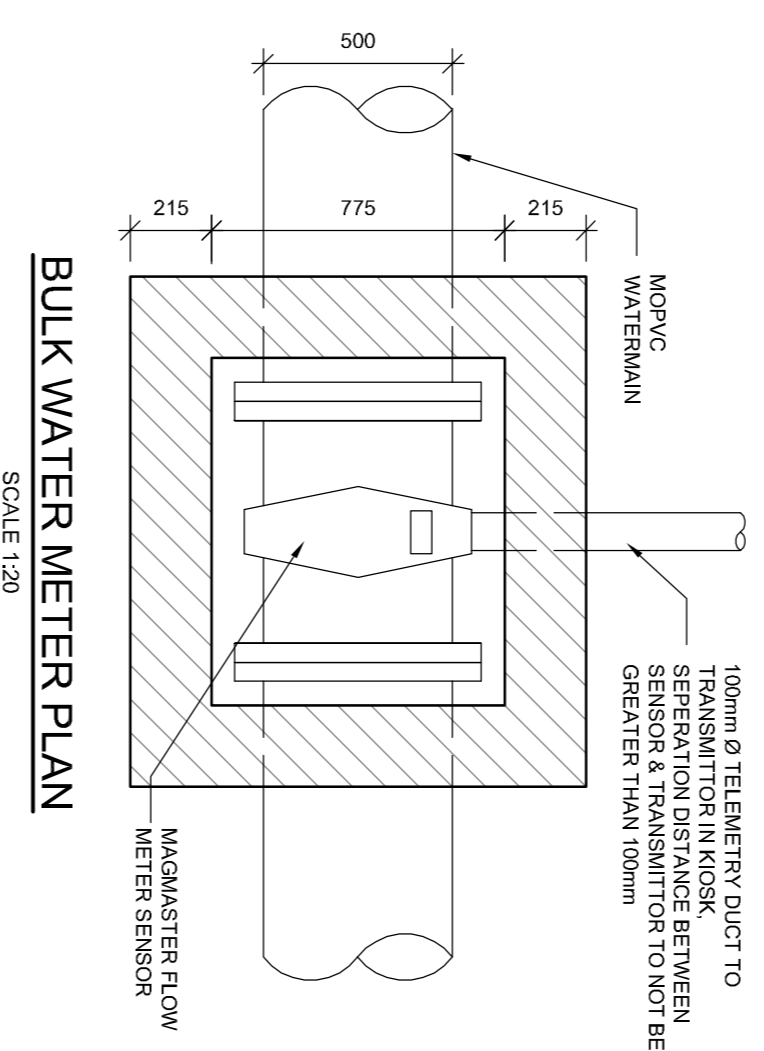
**GENERAL NOTES:**

- DRAINING TO BE READ IN CONJUNCTION WITH ALL RELEVANT ARCHITECTS AND ENGINEERS DETAIL DRAWINGS AND SPECIFICATIONS.
  - DO NOT SCALE DIMENSIONS. REFER TO ARCHITECTS DRAWINGS FOR ALL SETTING OUT DIMENSIONS. WORK TO FIGURED DIMENSIONS ONLY.
  - THE ENGINEER IS TO BE AFFORDED SUFFICIENT TIME TO CARRY OUT INSPECTIONS AND CHECKS TO VERIFY THE PROPOSED DESIGN AND CONSTRUCTION FRAMEWORK.
  - ALL CONSTRUCTION PRODUCTS TO HAVE RELEVANT CE MARKING WHERE APPLICABLE.
  - ALL CONTRACTORS OR SUB-CONTRACTORS RESPONSIBLE FOR SPECIALIST DESIGN MUST PROVIDE PROFESSIONAL INDEMNITY INSURANCES AND QUALITY ASSURANCE CERTIFICATIONS FOR INSPECTION IN ACCORDANCE WITH BSQR 2014.
- DRAINAGE**
- ALL SURFACE WATER DRAINAGE WORK TO BE CARRIED OUT IN ACCORDANCE WITH IS EN 752:2008, TGD PART H, GDR CODE OF PRACTICE FOR DRAINAGE WORKS W6.0.
  - ALL FOUL AND COMBINED SEWER DRAINAGE WORK IS TO BE CARRIED OUT IN ACCORDANCE WITH IRISH WATER CODES OF PRACTICE AND STANDARD DETAILS FOR WASTEWATER.
  - ALL WATERMAIN WORK IS TO BE CARRIED OUT IN ACCORDANCE WITH IRISH WATER'S CODES OF PRACTICE AND STANDARD DETAILS FOR WATER.



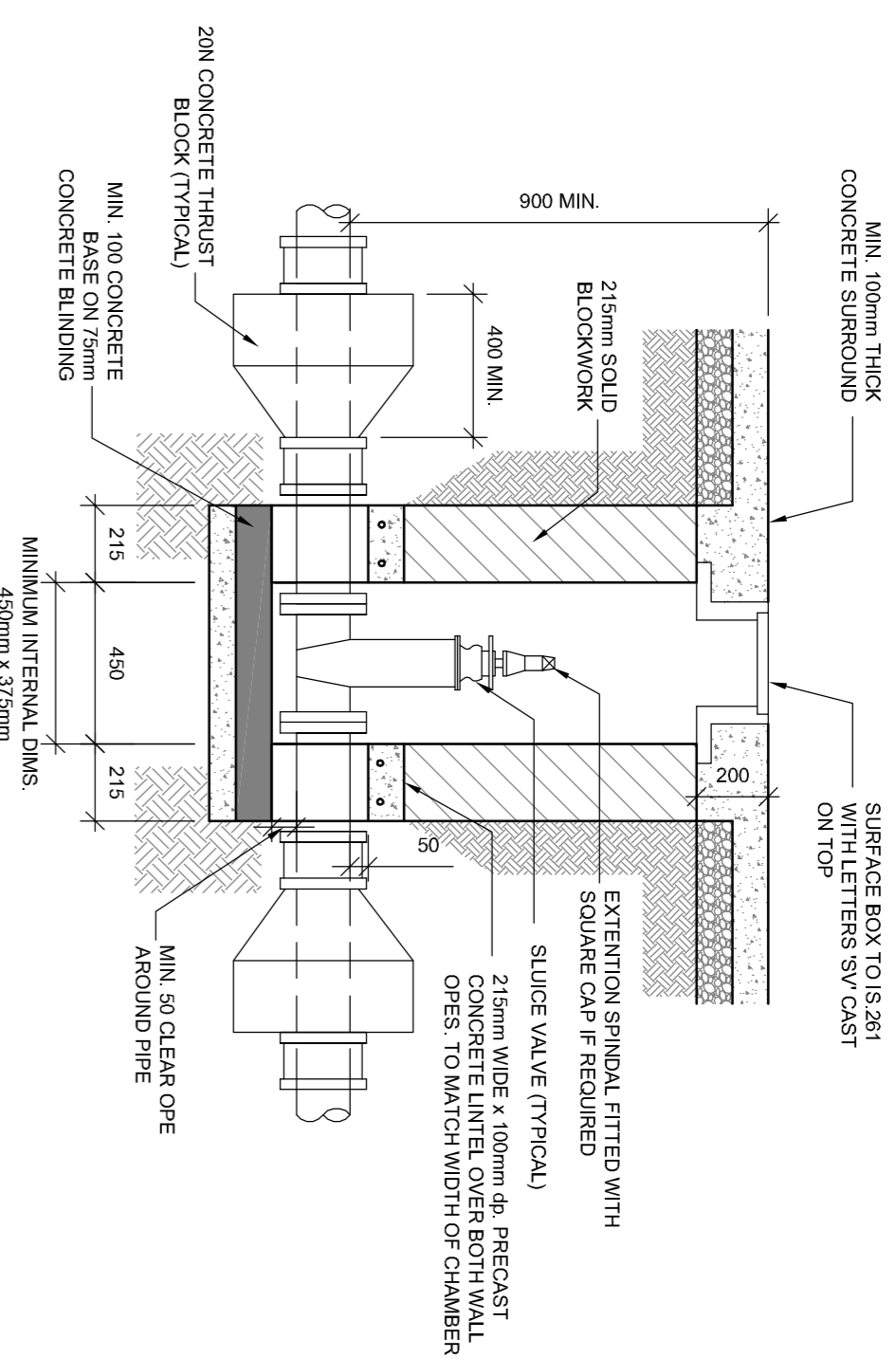
**BULK WATER METER SECTION**

SCALE 1:20



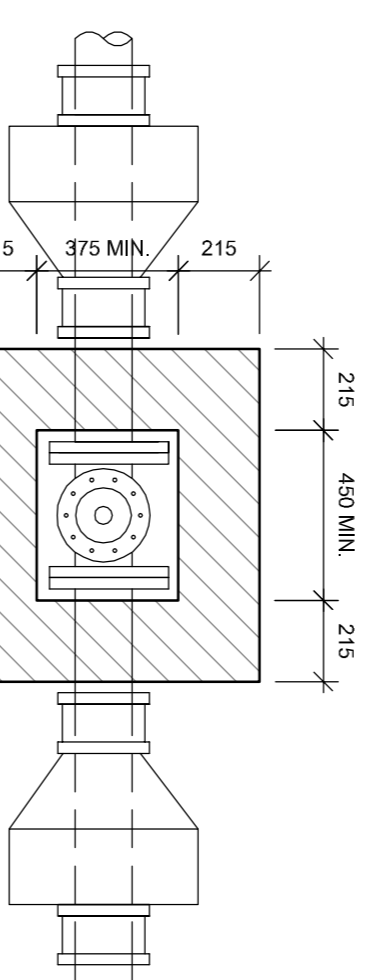
**BULK WATER METER PLAN**

SCALE 1:20



**SLUICE VALVE SECTION**

SCALE 1:20



**SLUICE VALVE PLAN**

SCALE 1:20

**SLUICE VALVE CHAMBER DETAILS**  
NOTE:  
FOR 1000 PIPES USE 800 x 300  
INTERNAL PLAN DIMENSIONS

Rev	Date	Chk'd	Description
P2	04/09/2020	MG	FM
P1	09/03/2020	ROC	FM

**LOHAN & DONNELLY**  
Consulting Engineers

13 Gardiner Place, Mountjoy Square, Dublin 1. T: 01 8787770  
W: www.lohan-donnelly.com E: info@lohan-donnelly.com

Job:	Development of Market Lands for The Fruitmarket Partnership
Job No.:	19143
Disc. No.:	C10

Drawn:	Watermain Typical Details	Scale:	@A1	Date:	March 2019
Checked:		Disc.:	POC	Rev.:	P2